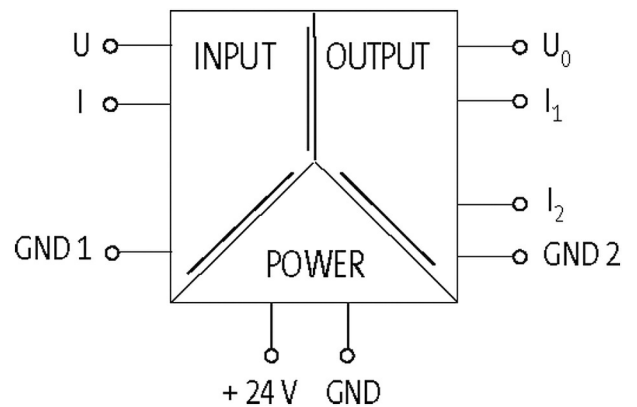
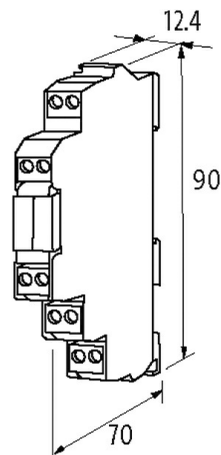


MMW ANALOG COUPLER COMPONENTIN: $-10 \dots +10 \text{V} / (0) 4 \dots 20 \text{ mA}$ - OUT: $0 \dots 10 \text{V} / (0) 4 \dots 20 \text{ mA}$ INPUT: 0...5 V DC, 0...10 V DC, $\pm 10 \text{ V DC}$

INPUT: 0...20 mA, 4...20 mA

Screw terminals

Input, output, and supply voltage galvanically separated

Illustration

Product may differ from Image

General data

Dimensions H×W×D	90×12.4×70 mm
Test isolation voltage	0.75 kV
Mounting method	DIN-rail mountable (EN 60715)
Temperature range	-25...+50 °C

Voltage inputs

Input voltage	0...5, 0...10, ±10 V DC
Input resistor	approx. 100 kΩ

Current input signals

Input current	0...20 mA, 4...20 mA
Load	approx. 75 Ω

Current outputs

Load	max. 400 Ω
------	------------

Description

Functional description	Due to an integrated current limiter on the output, the output is short circuit and overload protected. A special characteristic of the MULTI Converter Art.-No. 6644207 includes: Analog voltage signals 0...5 V/0...10 V and -10...+10 V and current signals 0.
------------------------	---

Commercial data

country of origin	CZ
customs tariff number	85437090
EAN	4048879028479
eClass	27210990
Packaging unit	1